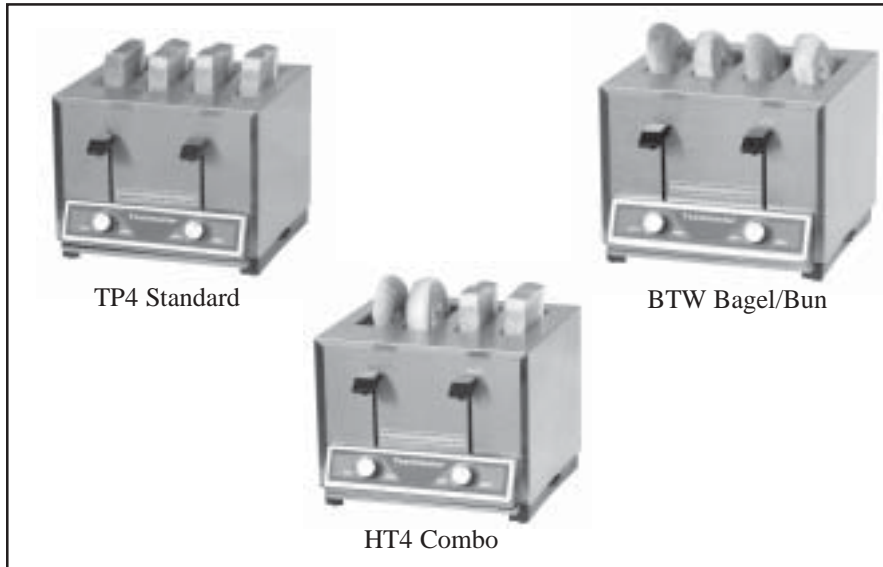




Solid-State, 4 Slot, Pop-Up Toasters

TP4 Standard, HT4 Combo or BTW Bagel/Bun



TP4 Standard

BTW Bagel/Bun

HT4 Combo

Application

Commercial electronic pop-up food toasters are designed to uniformly toast bread, frozen waffles and many other foods consistently.

General Information

TP409/TP424/TP430

Commercial four slot pop-up type bread toaster has four toasting slots in the top. Each slot is 1-1/16" (28.6mm)W x 5-1/4" (133mm)L. Each toasting chamber is equipped with oven guide wires, and lowering rack. Overall dimensions are 11-7/16" (291mm)W x 13" (330mm)D x 9-3/16" (233mm)H.

HT409/HT424

Commercial four slot pop-up type bread toaster has two toasting slots in the top. Two slots are standard 1-1/16" (28.6mm)W x 5-1/4" (133mm)L, and two slots are extra-wide one sided slots, 1-9/16" (40mm)W x 5-1/4" (133mm)L. Each toasting chamber is equipped with oven guide wires, and lowering rack. Overall dimensions are 11-7/16" (291mm)W x 13" (330mm)D x 9-3/16" (233mm)H.

BTW09/BTW24

Commercial two slot pop-up type bread toaster has two toasting slots in the top.

Each slot is extra wide 1-9/16" (40mm)W x 5-1/4" (133mm)L. Each toasting chamber is equipped with oven guide wires, and lowering rack. Overall dimensions are 6-5/8" (171mm)W x 13" (330mm)D x 9-3/16" (233mm)H. **Each Chamber Of The BTW Is One-Sided Toasting Only.**

Model TP4, HT4 and BTW Series Toasters Feature:

- Solid state timer control
- Electrical heating elements that provide uniform heat and even toasting
- Operating lever and color selection knob
- Removable crumb tray

Construction

Construction is of formed and welded sheet steel. Finish is brushed stainless steel with a bright anneal (mirrored) finish on the front panel. A front pullout crumb tray is provided for easy cleaning.

Electrical

The toasters are equipped with a two pole microswitch for each pair of slots that energizes the elements when the respective operating lever is depressed. All wiring connects in a

junction box at the rear. All electronic toasters are furnished with factory installed 36" cord and NEMA plug, and operate on 1 phase only. See additional specifications on back for exact NEMA plug and electrical requirements.

Heating

Insulated ceramic etched foil heaters are installed on both sides of each toasting chamber.

Controls

The two-slot section is controlled by a lever operated mechanism, it is equipped with color selector knob coupled with solid state controls having temperature and voltage compensators. When operating lever is depressed, bread racks are lowered, and elements are energized simultaneously. At the end of the toasting cycle, elements are de-energized, and bread racks are automatically raised by a coil spring.

Capacity

The TP409 toaster will toast 300 slices per hour. The TP424 toasts 380 slices per hour at 240V, and 300 slices per hour at 208V. The TP430 toasts 380 slices per hour. The HT409 and HT424 in 208V, can toast 150 slices of bread and 150 bagel halves or 120 English muffins halves per hour. The HT424 in 240V toasts 190 slices of bread and the same capacity of bagels and muffins per hour. The BTW09/BTW24 can toast approximately 300 bagel halves or 240 English muffins per hour.

No Quibble Warranty

Warranted for one year covering parts and labor.

Approximate Weights

HT4/TP4/BTW - 18 lbs. (8.2 kg). installed, 21 lbs. (9.5 kg) shipping.

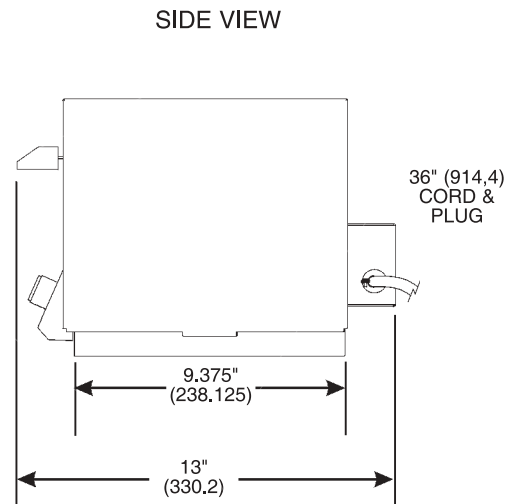
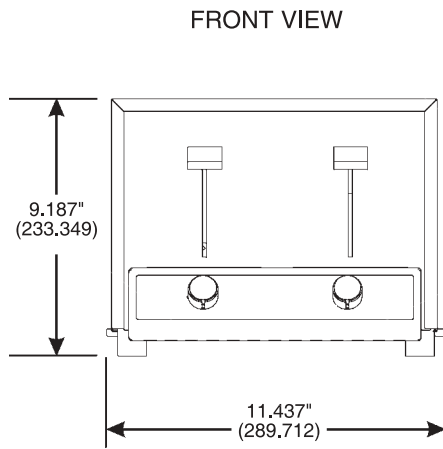
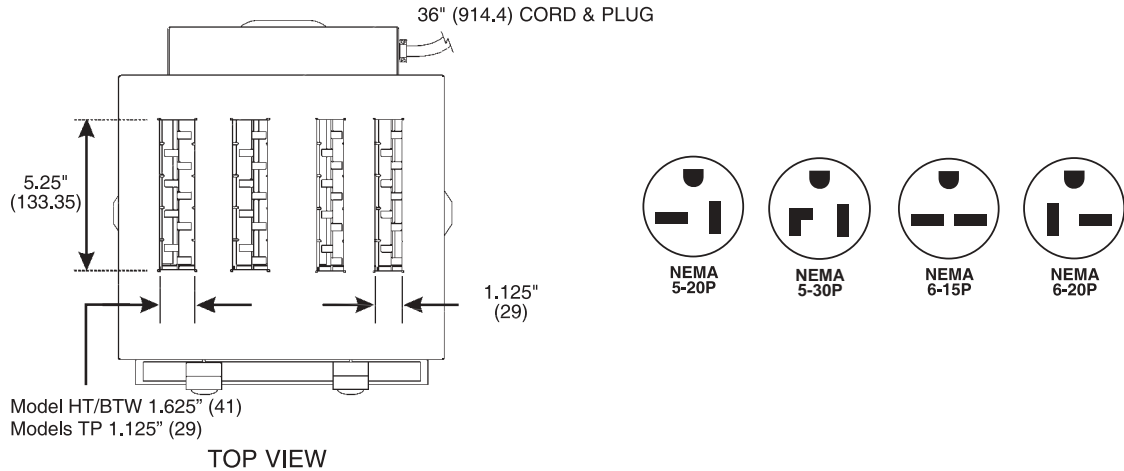
Optional Accessories

1D3CS - Stainless steel toaster stand. Holds two toasters.



Solid-State, 4 Slot, Pop-Up Toasters

TP4 Standard, HT4 Combo or BTW Bagel/Bun



NOTE: All Figures In Parentheses Are In Millimeters

GENERAL INFORMATION

Model	Width	Height	Depth	Net Weight	Ship Weight
HT409/HT424	11-7/16"	9-3/16"	13"	18 lbs	21 lbs
TP409/TP424/TP430	(291)	(233)	(330)	8.2 kg	9.5 kg
BTW09/BTW24					

ELECTRICAL INFORMATION

Model	Voltage	Phase	Hz	kW	Amps	Plug Type
HT409	120	1	60	2.0	16.6	NEMA 5-20P
HT424	208/240	1	60	1.6/2.2	8.0/9.2	NEMA 6-15P
TP409	120	1	60	2.2	18.3	NEMA 5-20P (USA) NEMA 5-30P (CANADA)
TP424	208/240	1	60	2.0/2.6	9.6/10.8	NEMA 6-15P
TP430	208	1	60	2.6	12.5	NEMA 6-20P (CANADA)
BTW09	120	1	60	1.8	15.0	NEMA 5-20P
BTW24	208/240	1	60	1.6/1.8	7.7/7.5	NEMA 6/15P

INTENDED FOR COMMERCIAL USE ONLY. NOT FOR HOUSEHOLD USE.

Toaster, in line with its policy to continually improve its product, reserves the right to change materials or specifications without notice. Such revisions do not entitle the buyer to corresponding changes, improvements, additions, or replacements for previously purchased equipment.

